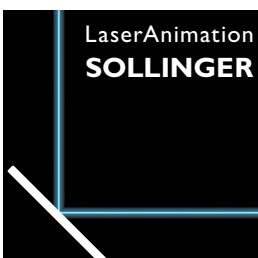




The **Laser Disable** is a special safety button which is used to disable the laser output via Ethernet.



MADE
IN
GERMANY



Technical specifications subject to change without prior notice!

Advantages

- Simple cabling, as already placed network cables can be used
- Compatible with Switches and Hub
- Each button or Laser Disable Software sends a “heartbeat” which is received by the connected devices. With this, those devices switch off automatically if no signal is sent due to a missing connection, a broken cable or power failure.
- robust housing (50 x 85 x 133mm)

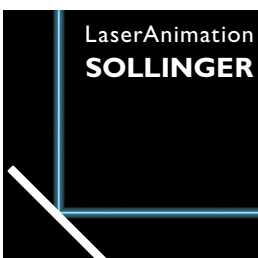
Compatible

- Lasergraph DSP
- PHAENON accurate
- AVB2ILDA
- PHAENON X with built-in AVB2ILDA

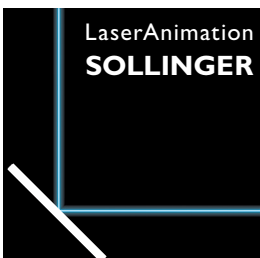
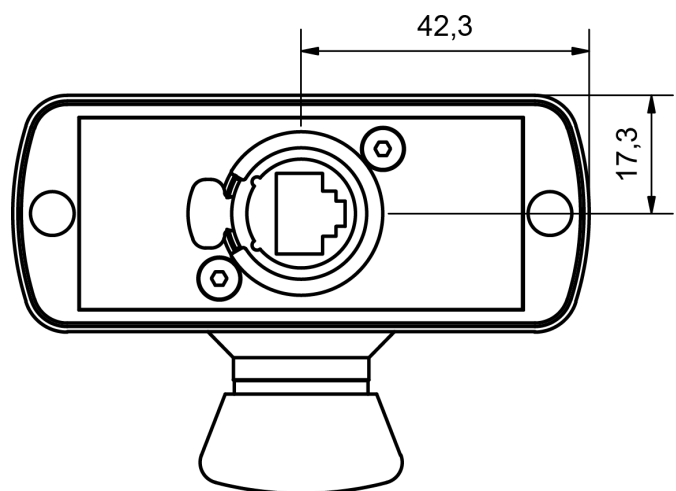
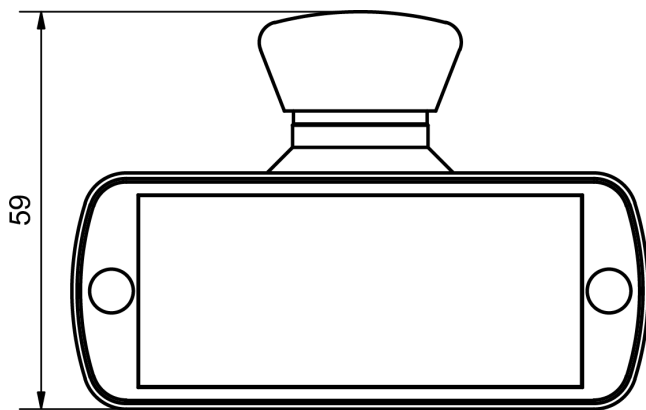
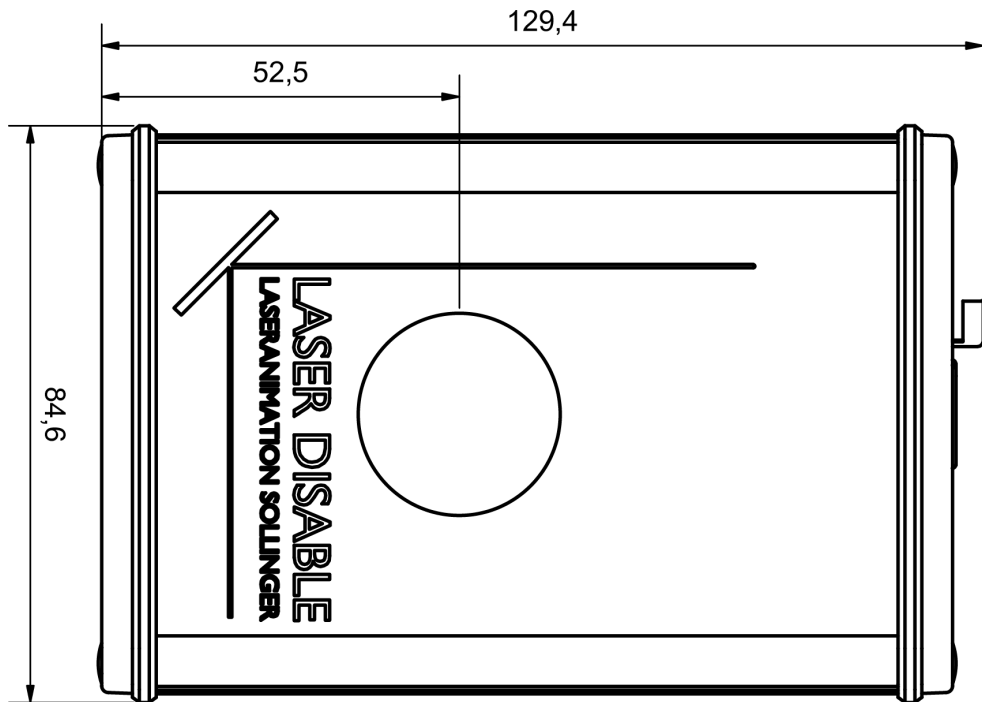
Configuration

In the Lasergraph DSP or the LA Toolbox, up to four independent Laser Disable Buttons or the Laser Disable software can be selected via their IP address.

Laser Disable							
LD 1: Off	<input type="radio"/> Off <input checked="" type="radio"/> On	IP:	<input type="text" value="10"/>	<input type="text" value="30"/>	<input type="text" value="84"/>	<input type="text" value="80"/>	Timeout(>60.000s) <input type="radio"/> Off <input checked="" type="radio"/> On <input type="text" value="0.1"/> sec
LD 2: Off	<input checked="" type="radio"/> Off <input type="radio"/> On	IP:	<input type="text" value="10"/>	<input type="text" value="30"/>	<input type="text" value="84"/>	<input type="text" value="75"/>	Timeout(>60.000s) <input checked="" type="radio"/> Off <input type="radio"/> On <input type="text" value="3.0"/> sec
LD 3: Off	<input checked="" type="radio"/> Off <input type="radio"/> On	IP:	<input type="text" value="0"/>	<input type="text" value="0"/>	<input type="text" value="0"/>	<input type="text" value="0"/>	Timeout(>60.000s) <input checked="" type="radio"/> Off <input type="radio"/> On <input type="text" value="3.0"/> sec
LD 4: Off	<input checked="" type="radio"/> Off <input type="radio"/> On	IP:	<input type="text" value="192"/>	<input type="text" value="168"/>	<input type="text" value="1"/>	<input type="text" value="62"/>	Timeout(>60.000s) <input checked="" type="radio"/> Off <input type="radio"/> On <input type="text" value="1.5"/> sec



Technical specifications subject to change without prior notice!



Technical specifications subject to change without prior notice!