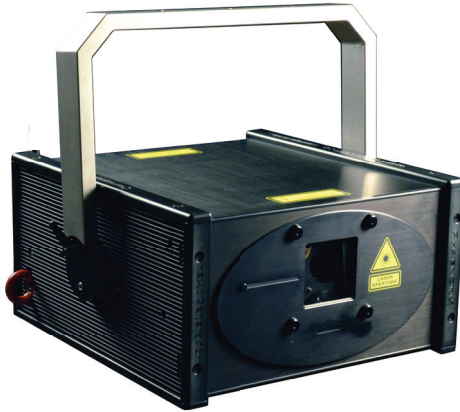


High-end Full Color Laser Projectors for Professional Applications



PHAENON X AT compact
(3 - 4 integrated Taipans)



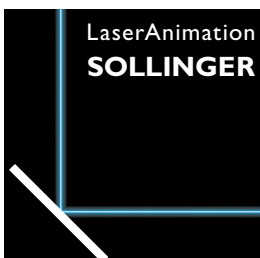
PHAENON X AT regular
(5 - 7 integrated Taipans)

Laser System Modular laser system exclusively based on Genesis TAIPAN OPSL by Coherent Inc.

Typical wavelengths: 639 nm | 577 nm | 590 nm | 532 nm | 488 nm / 480 nm | 460 nm
 Type: CW analog modulated
 Beam Diameter: 1.4 mm
 Divergence (full angle): < 1.5 mrad
 Laser class: 4

Models

PHAENON X AT	Enclosure	Specified Laser Output [mW]					
		Total	Red	Yellow	Green	Cyan	Blue
TRI-PAN	compact	5000	1500	-	2000	-	1500
TRI-PAN RE	compact	6000	2500	-	2000	-	1500
RGB 7000	compact	7000	2000	-	3000	-	2000
RGB 9500	compact	9500	2500	-	5000	-	2000
RYGB 12500	compact	12,500	2500	3000	5000	-	2000
RYGB 15500	compact	15,500	2500	3000	8000	-	2000
RYGB 22000	regular	22,000	5000	5000	8000	-	4000
RYGCB 25000	regular	25,000	5000	5000	8000	5000	2000
RYGCB 28000	regular	28,000	5000	6000	10,000	5000	2000
RYGCBB 30000	regular	30,000	5000	6000	10,000	5000	4000



**MADE
IN
GERMANY**
used worldwide



Technical specifications subject to change without prior notice!

Laser Safety

- Electronic mask to define protected areas in a laser projection using controlling software
- Scanfail safety circuit
- Physical adjustable beam blocker
- Key switch, interlock loop, emission LED

High-end Components

- CT 6210H X,Y scanners with LaserAnimation's high-speed TurboScan drivers
Scan system speed: 40 k ILDA 8°
Aperture: 4 mm
Projection angle: 80° maximum, 50° typical
Reaction time (2° opt. step): < 0.2 ms
- Motorized beam adjustment for comfortable adjusting the superposition of the colored beams
- Grating module for extraordinary background effects (optional)
- Laser show controller Lasergraph DSP PCB (optional)

Control

- LA Toolbox software for Windows as well as MAC OS X 10.6 or later
- Using terminal consisting of display and jog dial on backplane

Climate Components

- Generously dimensioned heat sink as base for all temperature relevant components
- Peltier elements for either heating and cooling
- Temperature controlled low noise fans with high efficiency

Thermal

- Max. ambient temperature: 50°C
- Min. ambient temperature: - 5°C

Standardized Connectors

- AC Mains Connector: Neutrik PowerCon
- Projector Signal, analog: ILDA In D-sub 25, differential inputs
- Remote: 7pin XLR (RS232, external key switch, interlock)
- DMX In / Thru /Out: 5pin XLR
- LAN

Electrical Input

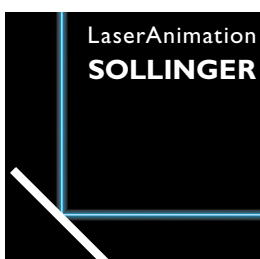
- 100-120VAC / 200-240VAC / 50-60Hz
- Input power: 500 - 950W maximum

Compliance

CE, CDRH ready

Warranty

12 months after delivery



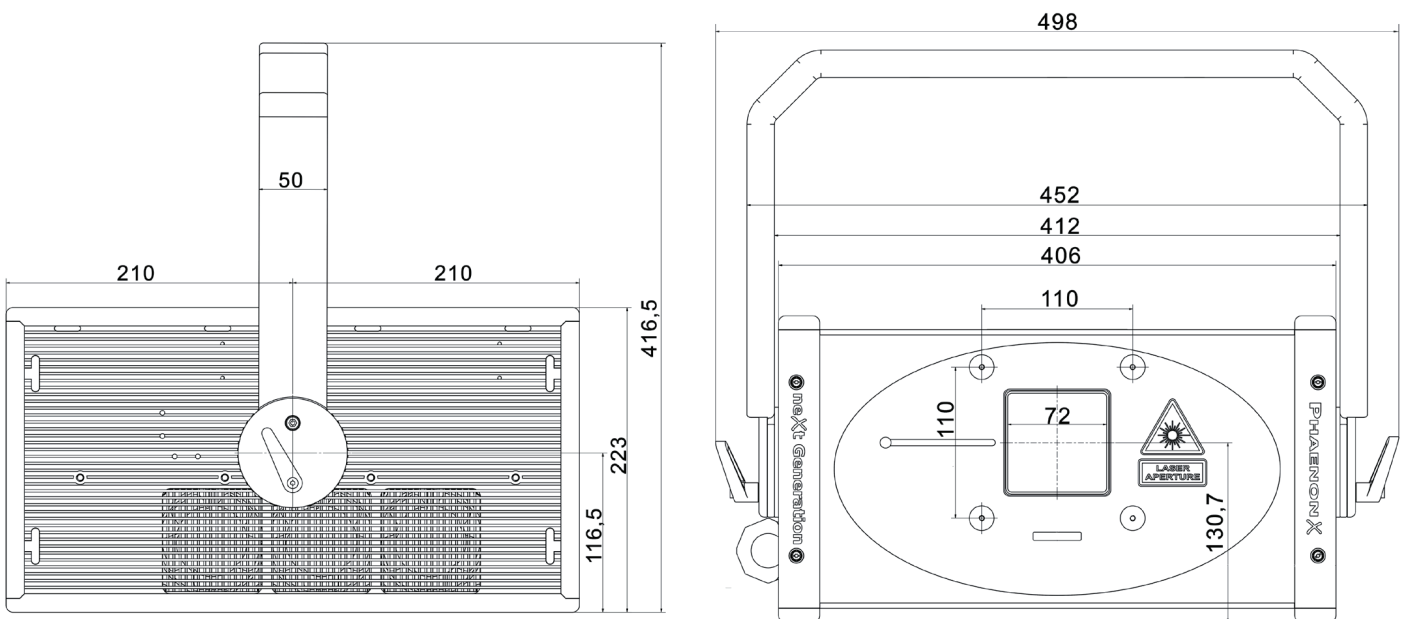
**MADE
IN
GERMANY**
used worldwide



Technical specifications subject to change without prior notice!

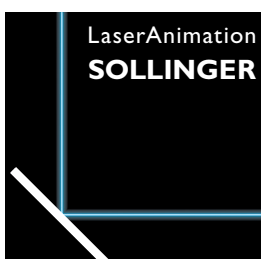
**Physical
PHAENON X AT
compact**

- Length: 420 mm
- Width: 406 mm
- Height: 223 mm (without yoke)
- Weight: Range of approx. 23 kg to 32 kg
- Housing: Dustproof, black anodized Aluminum with plastic edges
- Degree of protection: IP54
- Extra stable stainless steel yoke for truss mounting and loop for safety rope
- Integrated output window protector



Package

- Standard: Aluminum case
- Optional: PELI-Case 1640



**MADE
IN
GERMANY**
used worldwide

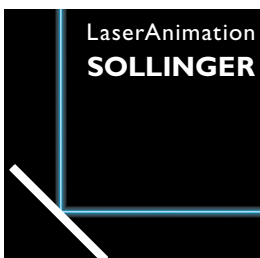
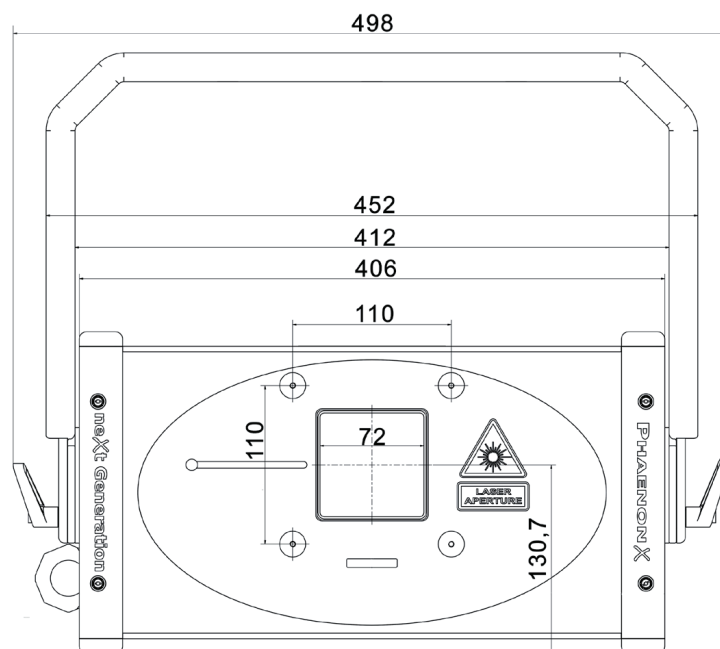
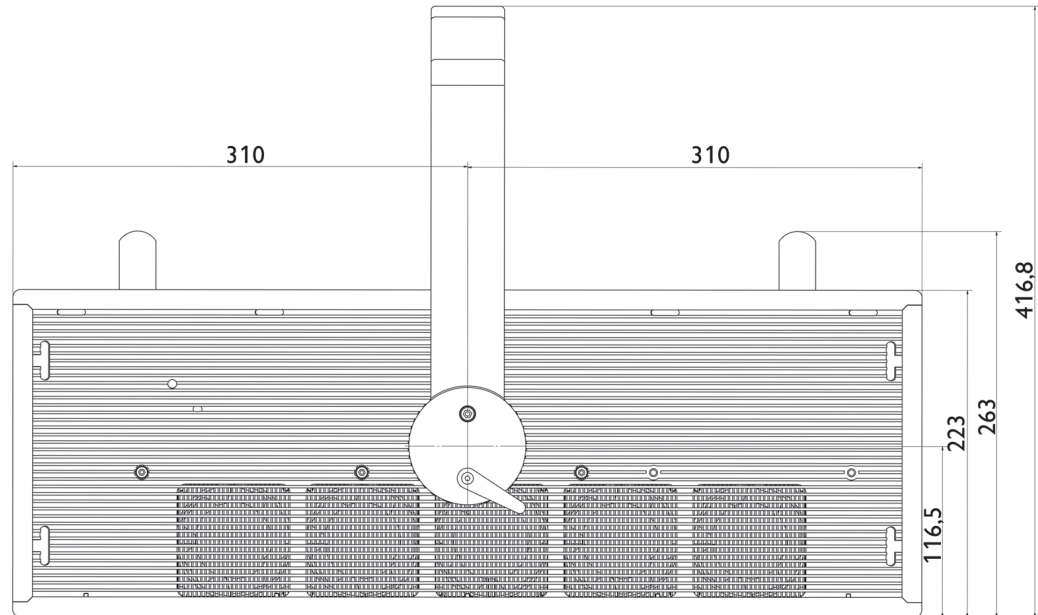


Technical specifications subject to change without prior notice!

Physical PHAENON X AT regular

- Length: 620 mm
- Width: 406 mm
- Height: 223 mm (without yoke)
- Weight: Range of approx. 35 kg to 48 kg
- Housing: Dustproof, black anodized Aluminum with plastic edges
- Degree of protection: IP54
- Extra stable stainless steel yoke for truss mounting and loop for safety rope
- Integrated output window protector

Package



**MADE
IN
GERMANY**
used worldwide



Technical specifications subject to change without prior notice!